

EO15 MOBILE MIXING PLANT



OFF-ROAD VEHICLE 4X4

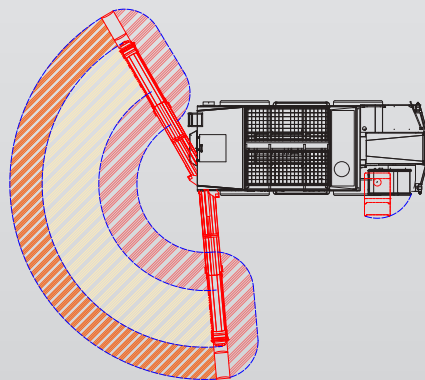


AGGREGATES
3,5 m ³
CEMENT
1,1 m ³
H ₂ O
550 L
EMULSION
+/- 300 L (opt.)
ADDITIVES
3x42 L (opt.)
PRODUCTION
≤35 m ³ /h

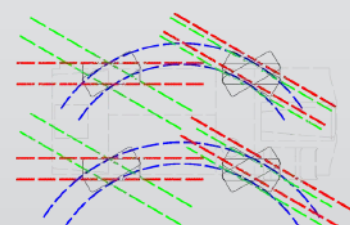
MAIN FEATURES

Diesel engine:	PERKINS series 1104
Type:	Turbo diesel
Cooling:	Watercooled
Maximum power:	62,5 KW (84 HP)
Rated speed:	2200 rpm
Emission standard:	EU Stage IIIA / US EPA Tier 3 equivalent

PLACING BELT WORK RANGE



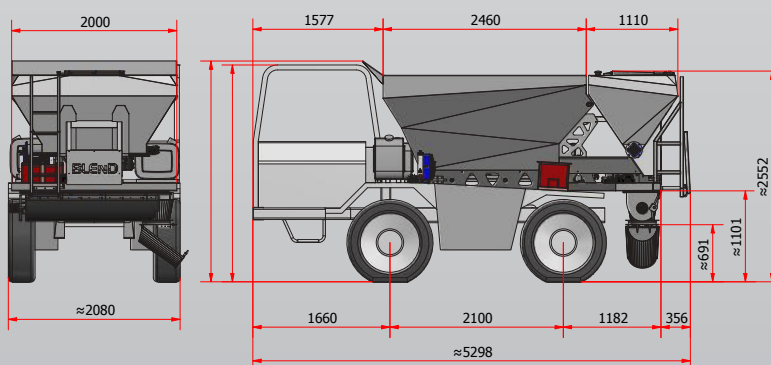
STEERING RANGE



Reversible seat



DIMENSIONS





TRANSPORT - LIFT - BLEND



Unloading belt with telescopic option remote controlled

Engine:	diesel / electric
Type:	Turbo diesel
Cooling:	Watercooled
Maximum power:	29 KW (40 HP)
Rated speed:	2200 rpm
Emission standard:	EU Stage IIIA / US EPA Tier 3 / 4 final / stage 5 equivalent

