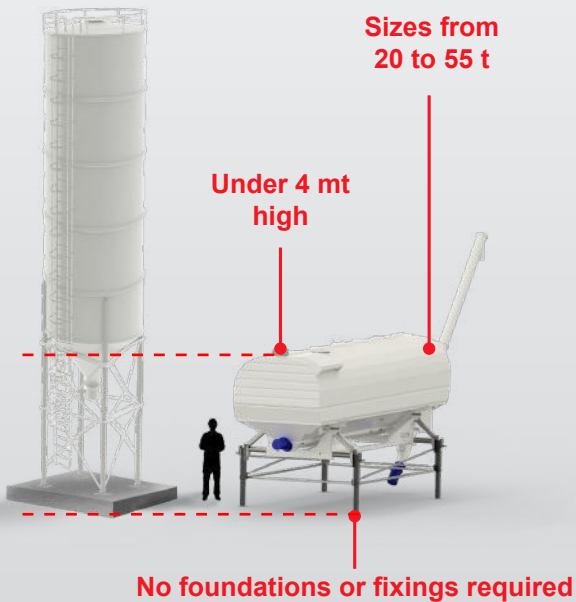


HORIZONTAL SILO



ADVANTAGES

- Easy to move.
- Transport on truck.
- Sea transport in box container.
- Simple installation.
- No seismic risk.

ACCESSORIES

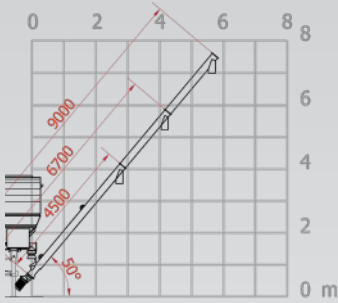
- Dust filter, different options.
- Balance and weighing management.
- Automatic folding auger.
- Diesel engine.
- Hooklift version.
- Lifting pistons.
- Telescopic legs for safe positioning.



Transport by truck or in a container



Dosing system	Predisposition for weighing system
Power supply	Electric / Diesel / Hydraulic







UNLOADING HEIGHT



TANK LOADING



Model		Length	Volume	Capacity
S016		4.500 mm	16 m ³	21 T*
S026		7.200 mm	26 m ³	34 T*
S032		9.000 mm	32 m ³	42 T*
S042		12.000 mm	42 m ³	55 T*

*Capacity depends on cement. For the calculation we consider the specific weight of 1,3 T/ m³.

All Horizontal Silos can be combined with the E-series and A240 mobile plants.



MAGGIO 2021