

C019 - C022 LIVE BOTTOM MATERIAL HANDLER



Suitable for working in the city and in the most remote construction sites

Capacity from 19 to 22 m³



ADVANTAGES

- Simple and fast discharge with speed and opening adjustment;
- No risk of tipping;
- No interference with cables or equipment in work site;
- Usable in tunnels;

ACCESSORIES

- GPS and GPRS data transmission system;
- Discharge storage;
- Tarpaulin roof;
- Remote control;
- Camera on the rear;

Remote control



Discharge with discharging chute

from 19 to 22 m³ Weighing materials



Discharge WITHOUT tipper



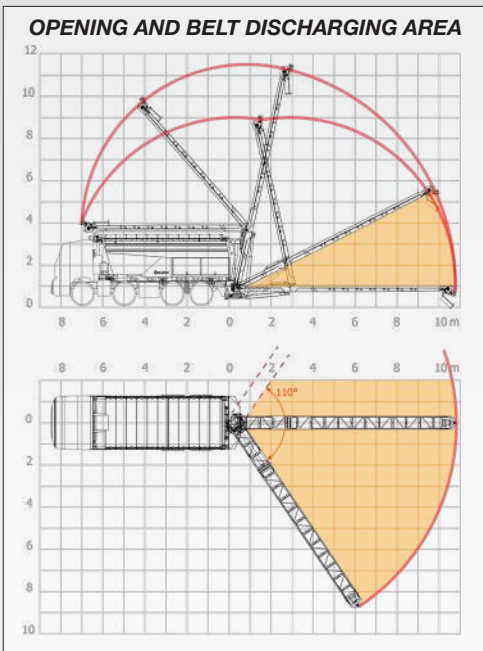
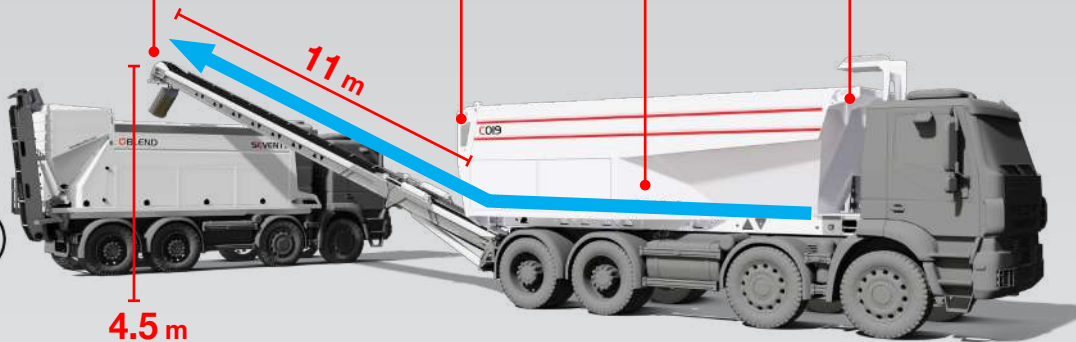
ASPHALT




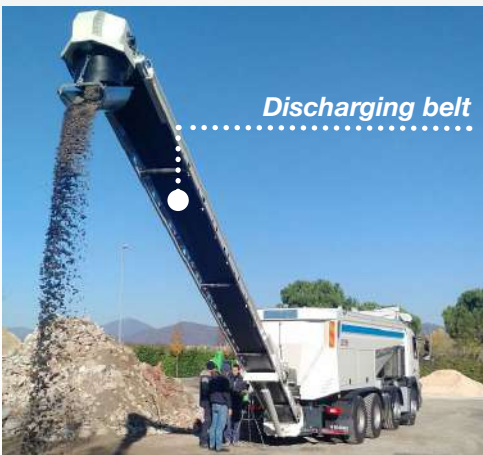
STONE



SAND



	
Structure	Hardox 450, thickness 4 mm
Capacity	CO19 19 m ³
	CO22 22 m ³
Discharge	Hydraulic opening of shore Dosing gate
Functioning	Hydraulic Truck bed with double pulling belt
External belt	Discharging chute Swivelling belt with double wheel
Belt dimensions	Length 11 m High max 4.5 m



MARZO 2022